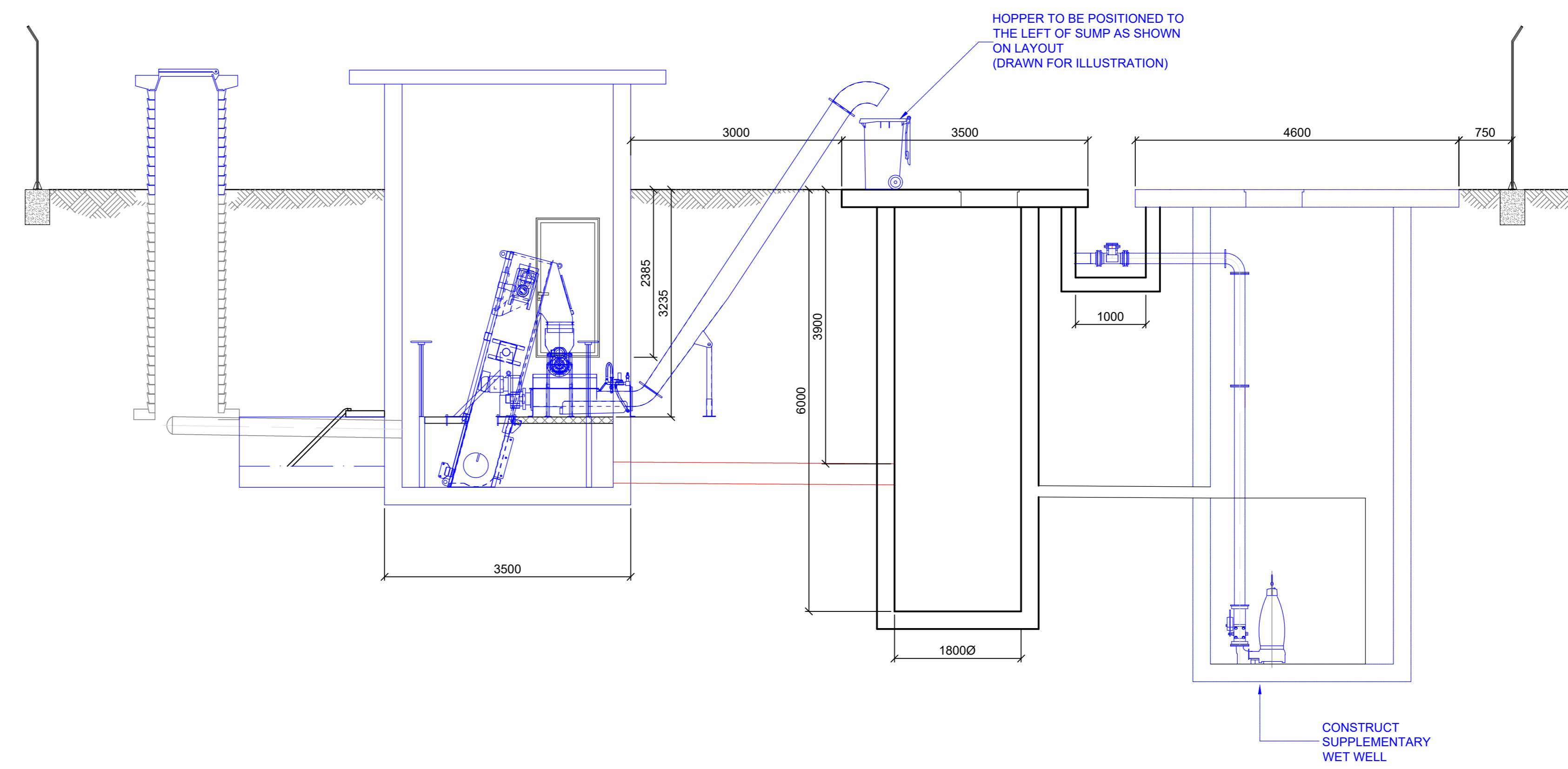
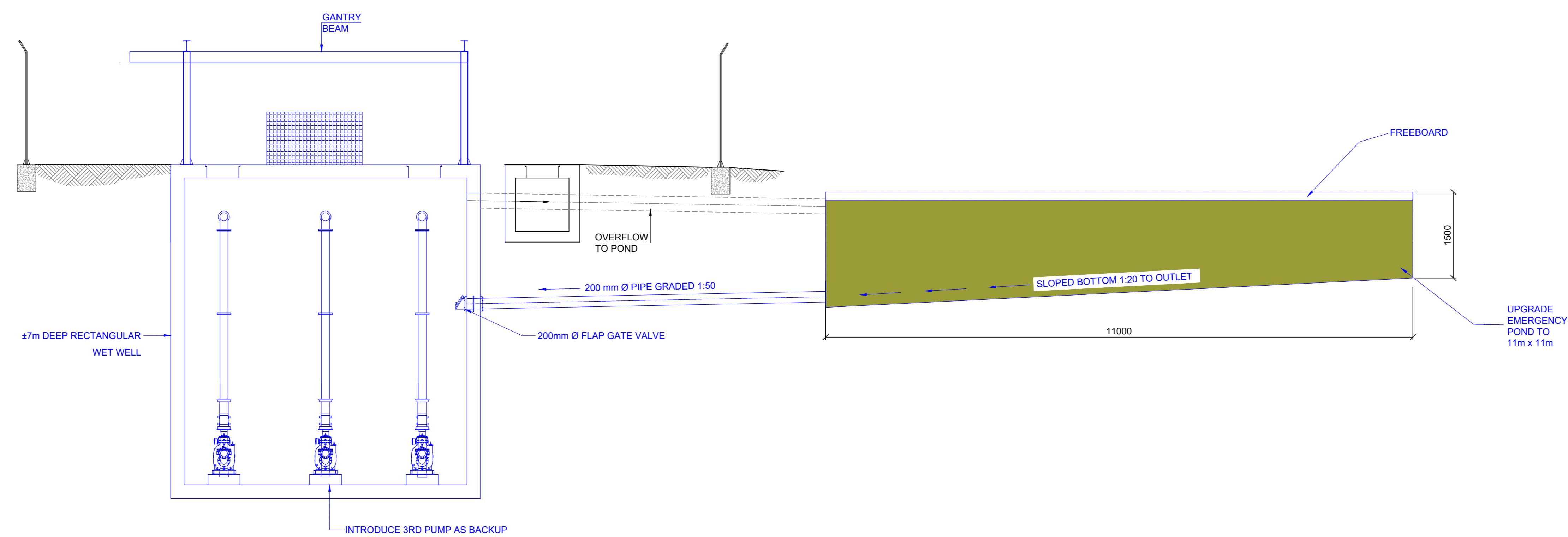


OPTION 2
GENERAL LAYOUT PLAN
SCALE 1:50



OPTION 2
SECTION B-B
SCALE 1:50



OPTION 2
SECTION A-A
SCALE 1:50

ENGINEER:



Physical Address: Soutwest Building, Essex Gardens, 1 Nelson Road, Westville, 3552
Postal Address: Suite 206, Postnet #817
Telephone Number: 031 701 1038
Facsimile Number: 031 701 0963
E-mail Address: info@vumesa.co.za
Website Link or Address: www.vumesa.co.za

CLIENT:



CITY OF EKURHULENI MUNICIPALITY
Department of Water & Sanitation
Sasme Building
Corner of Spilsbury & Queens Street
Germiston
Johannesburg
Gauteng
South Africa

DRAWING REVISIONS

REV	DATE	DRAWN	CHECKED	DESCRIPTION

PROJECT NAME:

**UPGRADING AND REFURBISHMENT
LEACHVILLE SEWER PUMP STATION**

DRAWING TITLE:

PROPOSED OPTION 2

RESPONSIBLE PERSONNEL	SIGNATURE	DATE
DESIGNED: S MNGADI		
DRAWN: S SINGH		
CHECKED: S MKHIZE (Pr Tech Eng)		
APPROVED: M NDLOVU (Pr Tech Eng)		
SCALE: AS SHOWN		

APPROVED ; CLIENT

SIGNATURE DATE

CONTRACT NUMBER

PROJECT NUMBER DRAWING NUMBER

VU/WTR/21/005 102

STAGE SHEET SIZE SHEET No. REVISION

AS BUILT A0 1 OF 1 0

COPYRIGHT RESERVED